

Aspherical Glass Lens

2005.9.12

Panasonic

1. TENTATIVE SPECIFICATION

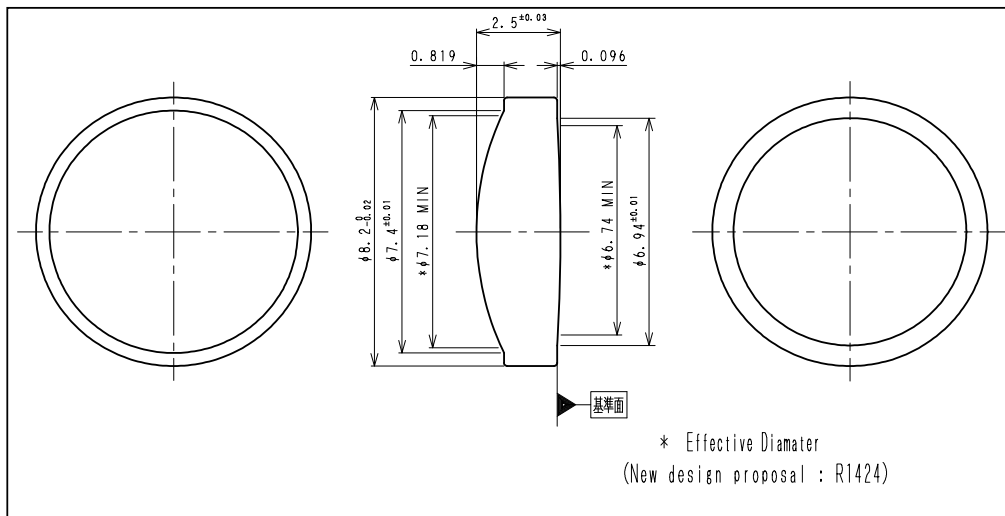
MATSUSHITA NITTO ELECTRIC CO. LTD.,

Collimator Lens

Product No. EYLGULF278

Design Specification Proposal

	Parameter	Unit	Specification
1	Design Wavelength	nm	780
2	Focal length	mm	14.913
3	Numerical aperture		0.241
4	Magnification		0
5	Objective distance	mm	∞
6	Working distance	mm	13.269
7	Cover glass	mm	n=1.517 , 0.25mm
8	Surface1 effective diameter	mm	Φ 7.180
9	Surface2 effective diameter	mm	Φ 6.740
10	Glass Material		PBK40(nd=1.50878), ν d=63.5
11	Lens diameter	mm	Φ 8.2
12	Lens thickness	mm	2.5
13	Weight	mg	246.62
14	Transmission	%	\geq 96
15	Image height	mm	0.26 (1degree)
16	Wavefront aberration	λ rms	0.0043 On-Axis 0.0321 Off-Axis
17	Model No.		R1424



<<関係図>>

