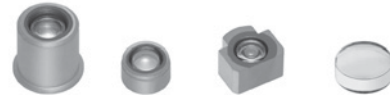


Aspherical Glass Lenses

Type: **EYLG**□□□□□□□□



Lightweight, high-performance aspherical glass lenses for various optical electronics applications.

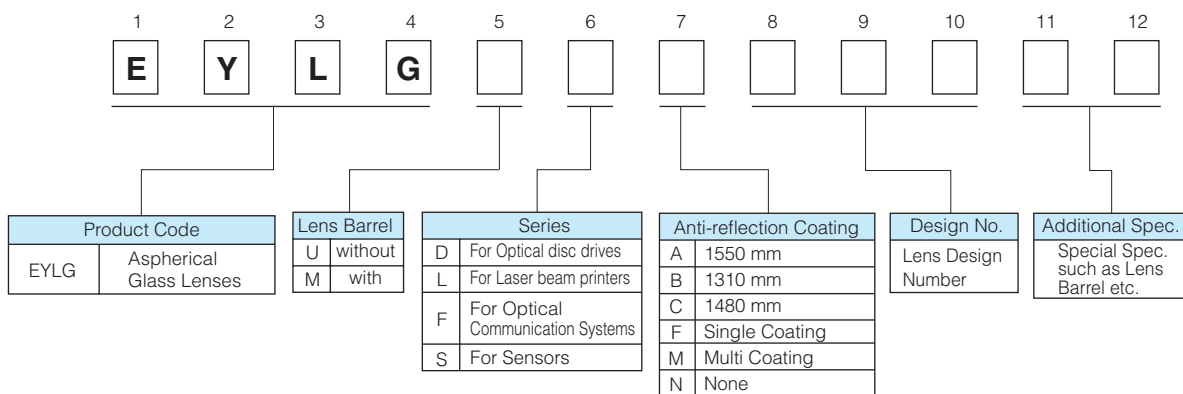
Features

- "One Shot" precision manufacturing process for an extremely compact, lightweight and high-performance lens
- High-quality processing and measurement techniques for superior performance
- Short focal length for compact size
- High numerical aperture achieved via aspherical design
- Wide temperature and humidity range for increased reliability and stability
- Various lenses and lens material available for many different applications
- RoHS compliant

Recommended Applications

- Pickup lens for optical drive devices
- Collimator lens for laser beam printers
- Coupling lens for optical communication systems
- Image formation lens for sensors

Explanation of Part Numbers



Ratings

Item	Ratings
Operating Temperature Range	-30 to +85 °C
Storage Temperature Range	-40 to +100 °C

■ Please contact the factory for packaging methods.

Specifications

- For storages, laser beam printers, sensors and other applications
Collimator Lens

Part No.	Item	Wave Length (nm)	Numerical Aperture	Focal Length (mm)	Working Distance (mm)	Lens Diameter (mm)	Mass (Weight) (mg)	Abbe Number	Cover Glass (mm)
EYLGULF429		780	0.20	14.96	12.81	φ6.80	256	64	0.30
EYLGULM368		780	0.33	10.00	8.60	φ8.00	250	46	0.25
EYLGULF425		780	0.23	12.50	10.63	φ6.40	306	53	0.30
EYLGULF274		780	0.40	6.25	4.60	φ6.40	234	53	0.25
EYLGULF276		780	0.25	8.00	6.34	φ6.40	250	53	0.25
EYLGULF277		820	0.30	9.00	7.43	φ6.40	230	53	0.30
EYLGULF278		780	0.24	14.91	13.24	φ8.20	247	64	0.30
EYLGULF387		830	0.40	4.60	3.04	φ6.40	125	64	0.25
EYLGULF405		785	0.16	24.32	22.73	φ9.50	322	64	0.30
EYLGULF406		785	0.39	10.00	8.46	φ9.30	288	64	0.30
EYLGULF397		785	0.12	31.99	30.43	φ9.30	318	64	0.30
EYLGULF398		785	0.18	20.99	19.47	φ8.80	256	64	0.30

Dimensions in mm (not to scale)

