

## Aspherical Glass Lenses

Type: **EYLG**□□□□□□□□



These products are aspherical glass lenses by using a press molding, and key devices of optical electronics not only provide compact and light weight but also high-performance by utilizing characteristics of aspherical design.

### Features

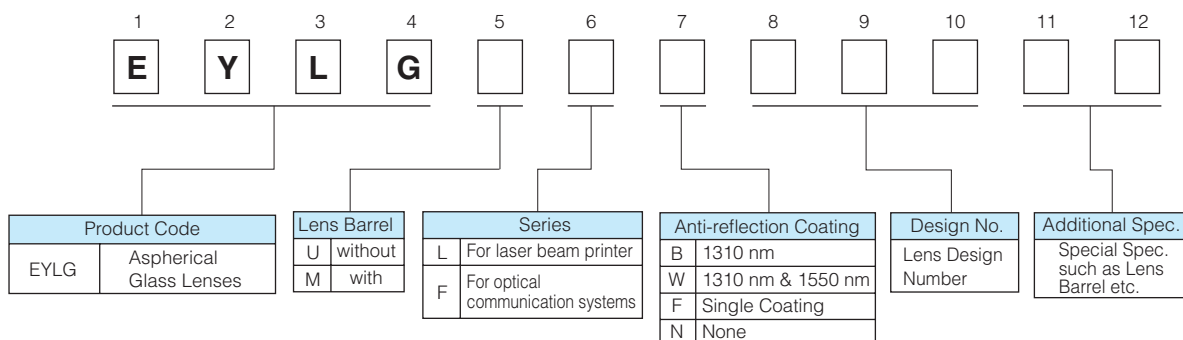
- High numerical aperture achieved via aspherical design
- Short focal length for compact size
- Appropriate lenses and lens material available for many different applications
- Wide temperature and humidity range for increased reliability and stability
- High-quality processing, measurement techniques and precision manufacturing process give less variation in optical properties
- RoHS compliant

\* We can offer custom design, sampling and mass production as requested

### Recommended Applications

- Collimator lens for laser beam printers
- Coupling lens for optical communication systems
- Collimator lens for optical communication systems

### Explanation of Part Numbers



### Ratings

Item	Ratings
Operating Temperature Range	-30 to +85 °C
Storage Temperature Range	-40 to +100 °C

■ Please contact the factory for packaging methods.

## Specifications

- Collimator lens for laser beam printers and laser applications

Part No.	Item	Wave Length (nm)	Numerical Aperture	Focal Length (mm)	Working Distance (mm)	Lens Diameter (mm)	Mass (Weight) (mg)	Abbe Number	Cover Glass (mm)
EYLGULF425		780	0.200	12.50	10.63	6.40	306	53	0.30
EYLGULF274		780	0.400	6.25	4.60	6.40	234	53	0.25
EYLGULF276		780	0.250	8.00	6.34	6.40	250	53	0.25
EYLGULF277		780	0.300	9.00	7.43	6.40	230	53	0.30
EYLGULF387A		830	0.400	4.60	3.04	6.40	125	64	0.25
EYLGULF405		785	0.160	24.33	22.73	9.50	322	64	0.30
EYLGULF406		785	0.390	10.00	8.46	9.30	288	64	0.30
EYLGULF397		660	0.122	31.99	30.43	9.30	318	64	0.30
EYLGULF398		785	0.180	20.99	19.47	8.80	256	64	0.30

## Dimensions in mm (not to scale)

